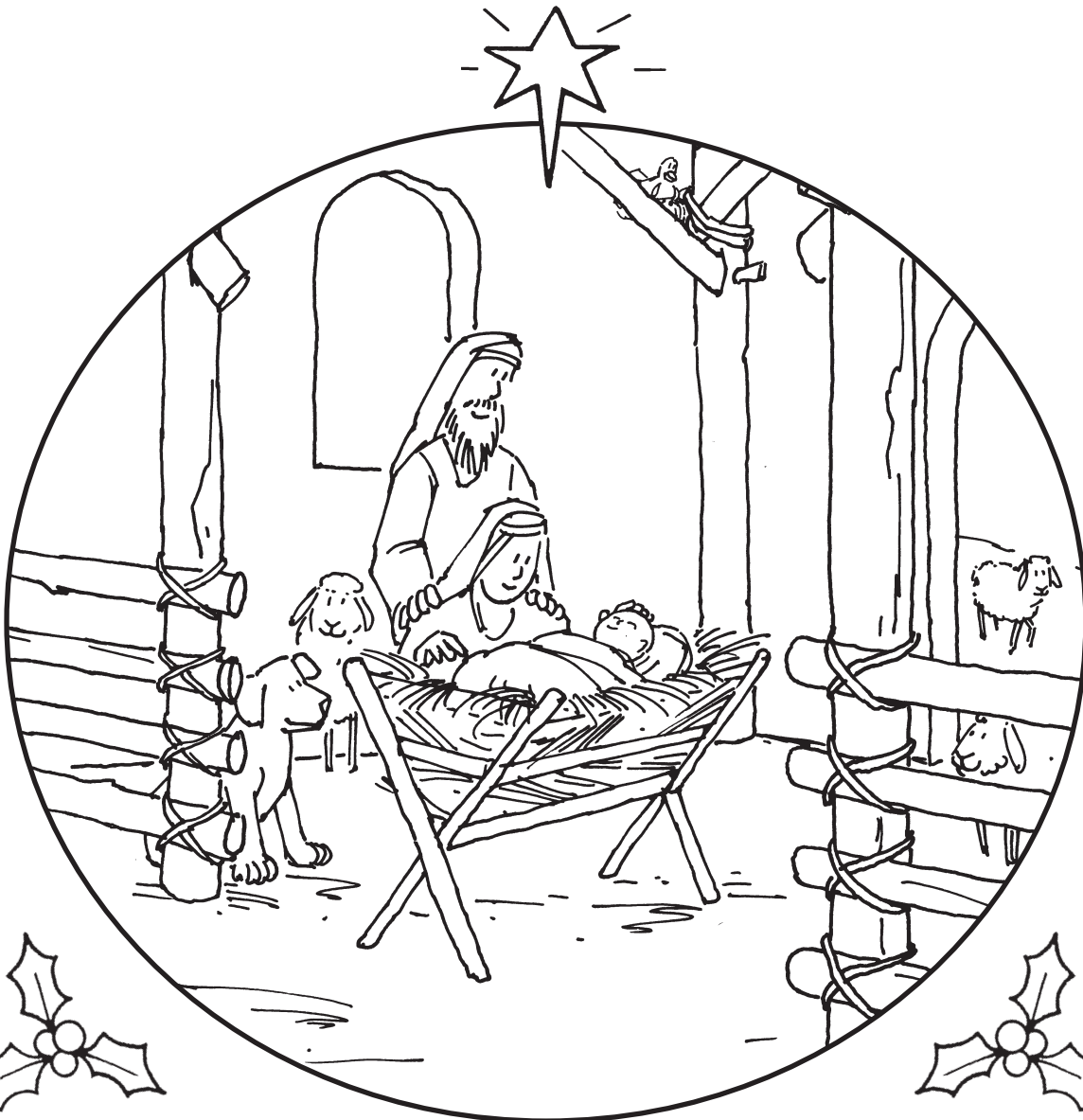


The Christmas Story

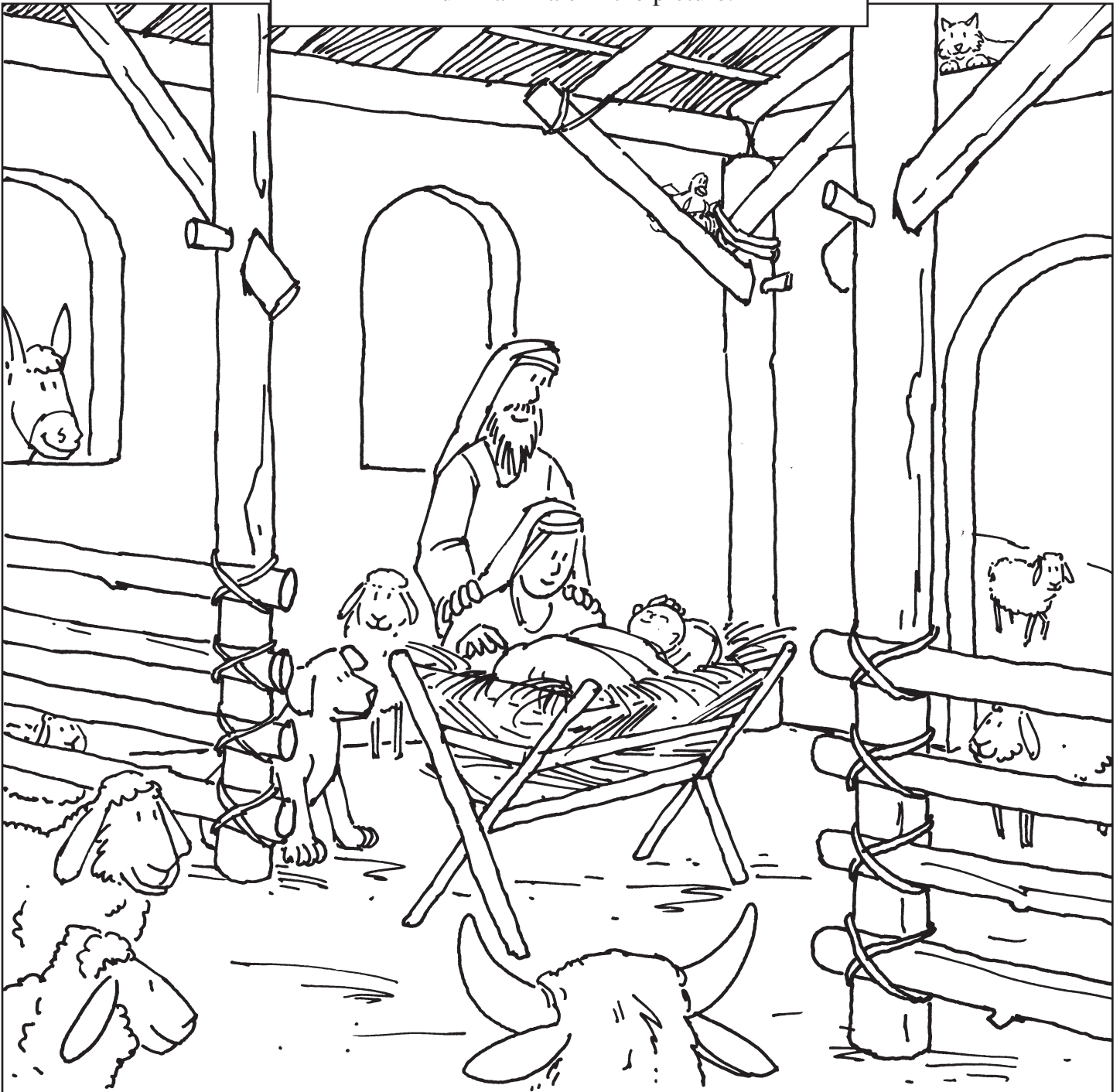
• ACTIVITY PAGES • YOUNGER •



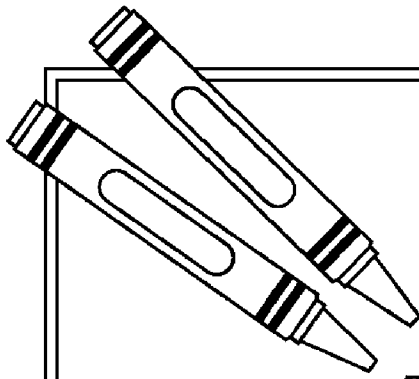
From your friends at *Children's Worship Bulletins*
www.ChildrensBulletins.com

Mary and Joseph had to go to Bethlehem. There, Jesus was born in a stable.

Find 11 animals in the picture.



Name _____



Just for **KIDS**

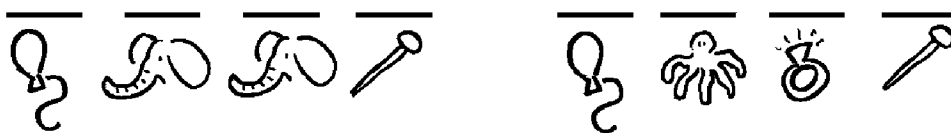
The Shepherds and the Angel

What did the angel of the Lord say to the shepherds?


(Luke 2:11)


Write the first letter of each picture on the lines.

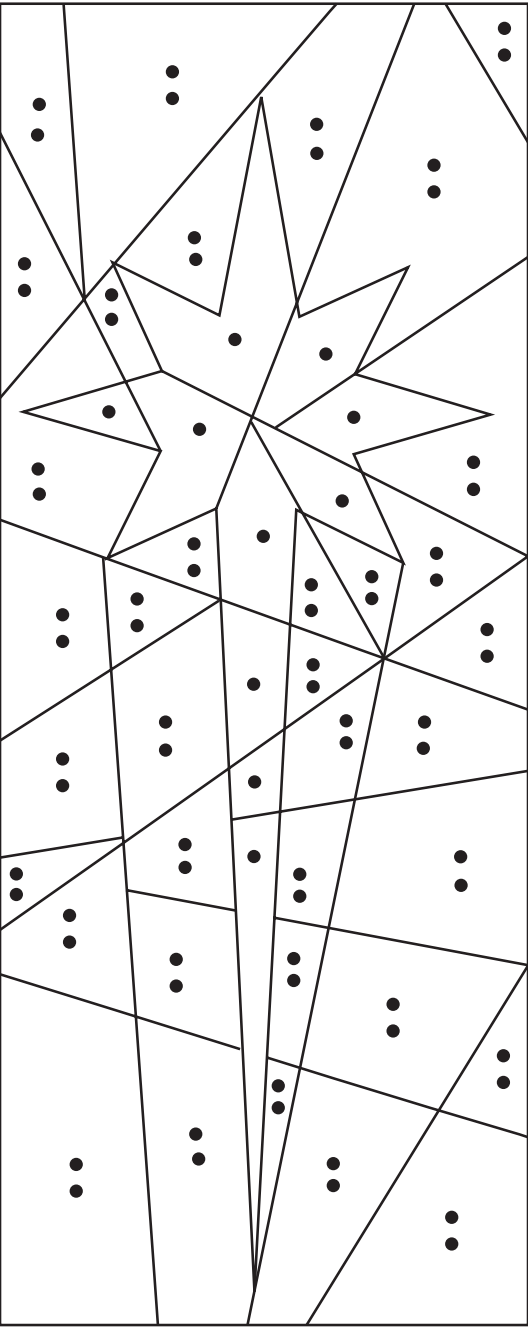
“



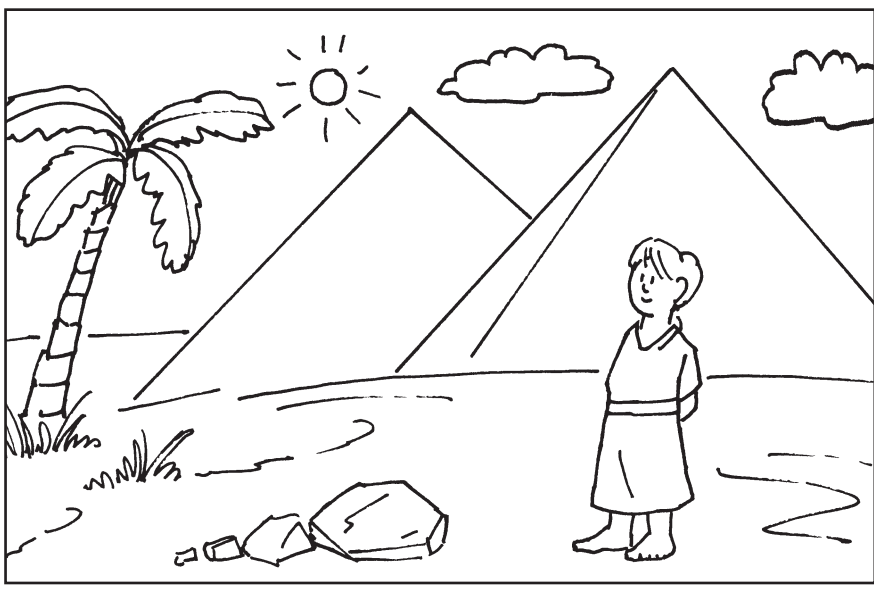
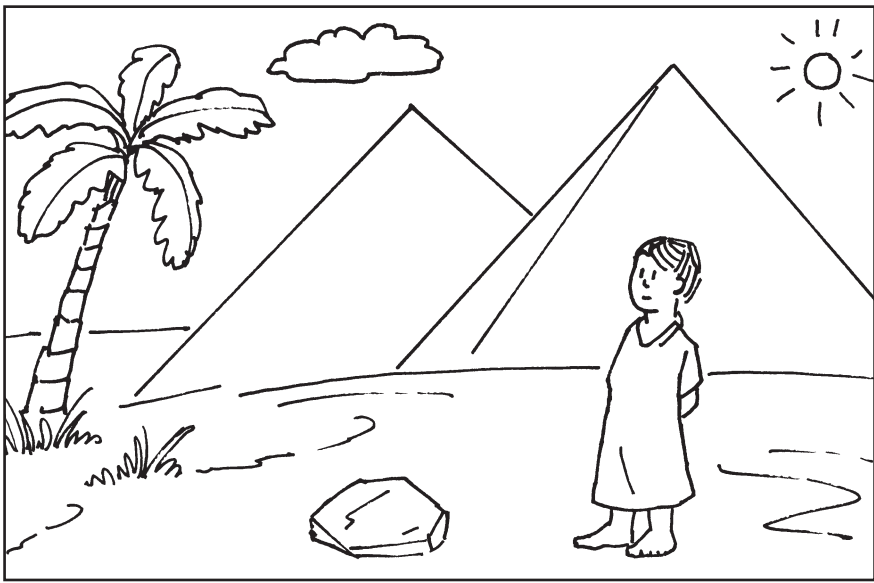
The Magi followed a special star.
It led them to where Jesus was.

Shade in the shapes with .

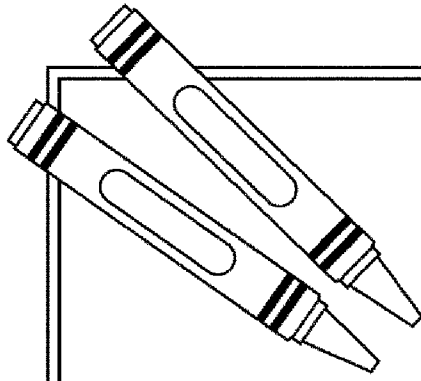
 7 differences in the bottom picture.



Jesus was in danger from King Herod so they escaped to Egypt. When it was safe, Joseph, Mary and Jesus came to live in Nazareth.



Name _____



Just for **KIDS**

Christmas Riddles

Read the riddles below. Do you know the answers?

1. In a stable I was filled with hay
And became a bed where a baby lay.

What am I? _____ (Luke 2:7)

2. Our voices loud were heard on high!
The shepherds were frightened when we filled the sky!

Who are we? _____ (Luke 2:9-13)

3. I was shining in the Bethlehem sky that night.
The three kings followed my light so bright!

What am I? _____ (Matthew 2:2)

4. We watched our sheep in the night so still;
Then angels sang and woke up our hill!

Who are we? _____ (Luke 2:8)

5. I was at Mary's side for that special birth
And raised the child as his "father on Earth."

Who am I? _____ (Luke 2:16)

6. "My heart in song to God I lift"
said the young mother of God's special gift.

Who am I? _____ (Luke 2:19)

7. A baby boy, the Promised One!
A gift from God, His beloved Son!

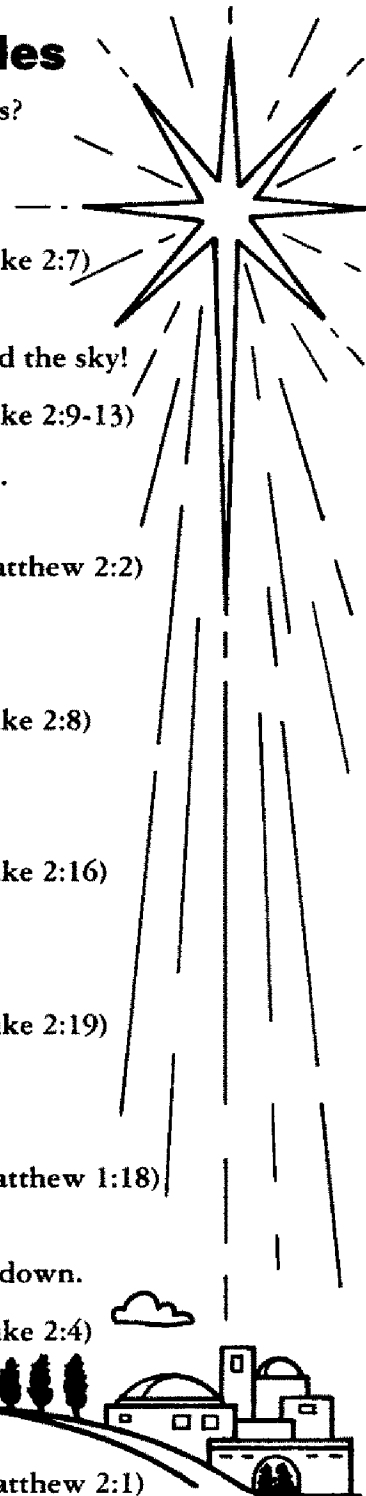
Who am I? _____ (Matthew 1:18)

8. The city of David, the little town,
Where the Baby was born and the star shone down.

What am I? _____ (Luke 2:4)

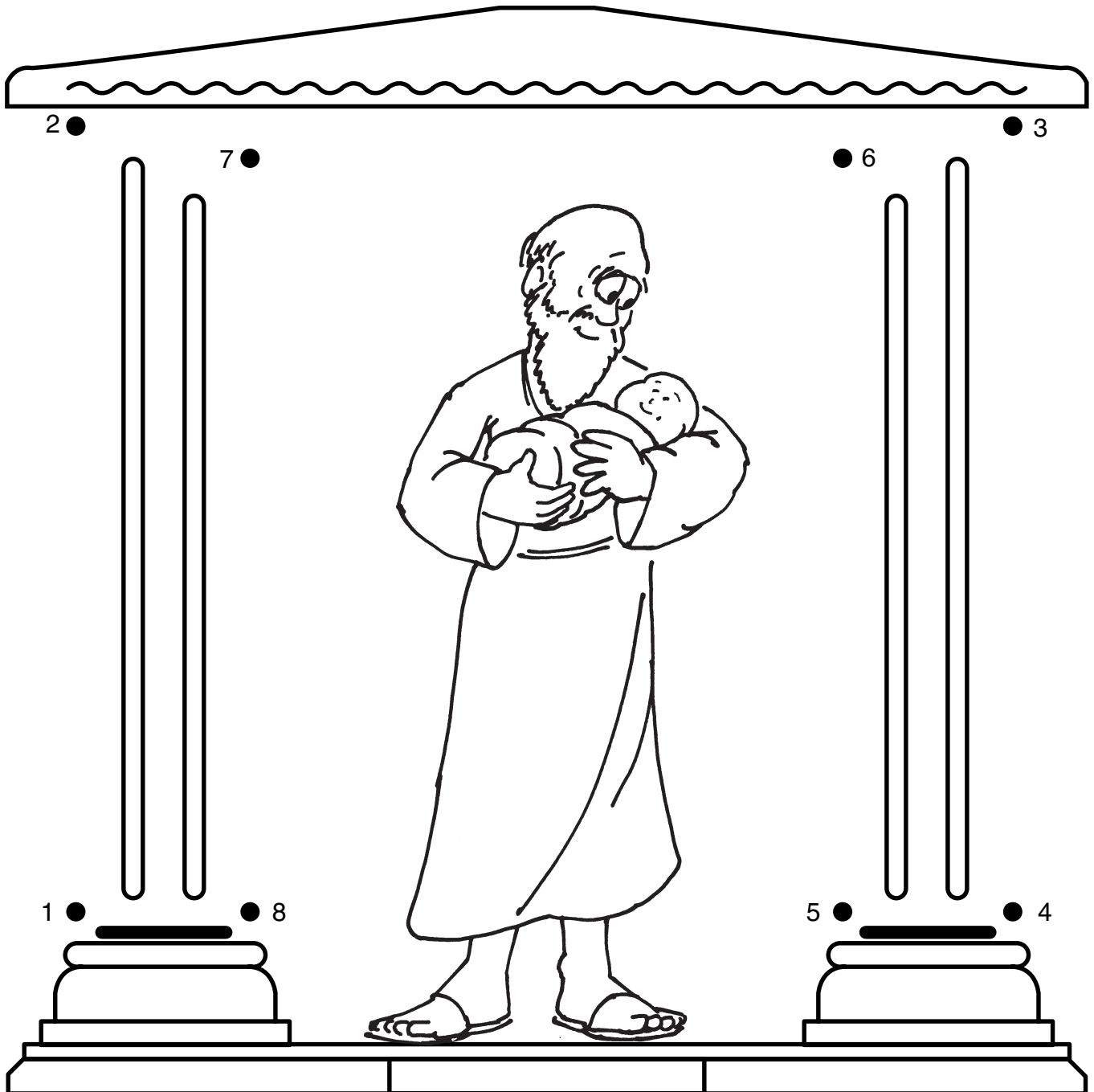
9. From the East we traveled far.
We found the child by the light of the star.

Who are we? _____ (Matthew 2:1)



Simeon was in the temple. He believed God about the coming of Jesus. He was happy.

Connect the dots.



Name _____